

# Powered Pallet Truck



## 1 Heavy Duty Chassis Construction

- 8 mm thick carbon steel chassis protects the drive train, hydraulic pack and controller from any damage during operations



# 7 reasons

why Godrej Powered Pallet Truck is the right choice to improve productivity and safety of your material handling operations.



## 2 Fully-integrated AC Traction System (ACTS)

- The AC control system and ruggedness of the drive train provides smooth direction changes and allows you to change direction instantaneously
- ACTS also enables the operator to precisely and accurately position the machine to pick and place pallets
- Motor torque control provides braking force, dramatically reducing the need for electromagnetic brake operation. This minimises brake pad wear saving maintenance time and cost.

## 3 Programmable Performance Equipment

- Programmable Microprocessor based MOSFET controller enables the equipment to be set to work at the required speeds as well as set required braking distances
- Controller provides the appropriate torque to speed ratio to meet the demands of the application based on constant feedback from the encoder
- The controller increases the life of the motor and enables the battery to last longer by up to 5%
- Superior control of motor characteristics enhances the life of the motor, besides enabling upto 5% additional operating hours in each charge cycle





#### 4 Full Function Control Handle

- Thanks to the full function control handle, the operator can manage all functions (Forward/Reverse/Braking/Lifting/Lowering) with one hand
- Full function handle eliminates all distraction, allows operator to focus solely on the handling task
- The machine can be handled with either left or right hand due to symmetrical design of the handle



#### 6 Anti Twist Design Prolongs Chassis Life

- Dual lift cylinders coupled with torsion-bar manages offset loads by eliminating possibility of chassis twist
- Lift cut-off battery energy by shutting down motor/pump once full lift is achieved



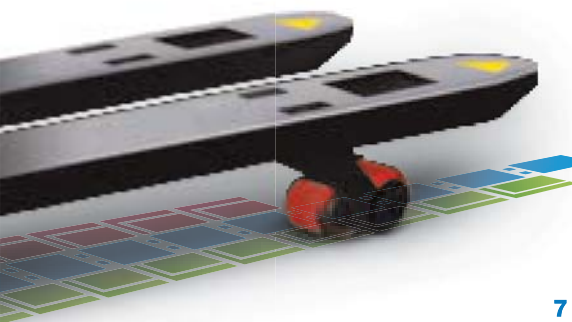
#### 5 Superior Pull-rod linkage System for Initial Lift

- Greater strength and durability of pull-rods by subjecting them to tensile force rather than compressive stress
- Unique pull-rod system places riser axle high on the fork eliminating chances of damage and wear
- Pull-rods are welded to the chassis rather than the carriage for stronger construction



### Performance Enhancing Options

- Additional 220 Ah / 270 Ah battery
- Side restraints
- Battery changing trolley
- Travel alarm
- Flashing beacon
- Freezer Conditioning



#### 7 Safety with Improved Productivity

- Features to ensure operator safety at every step of the operation as stated in page 4 & 5

# Godrej Safety Features



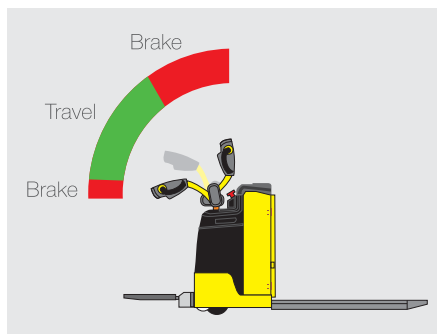
## 1 Different speeds to meet the requirements of the application while ensuring safe operation of the equipment

- Castors on either side of the drive wheel guarantee stability of the truck. Controller ensure that the load is safely positioned at the lowest possible height while travelling by automatically reducing the machine speed to 2.5 km/hr when:

Raising the operator platform automatically reduces the travel speed to 2.5 kmph, activating pedestrian mode. Operator platform is raised for operating in pedestrian mode.

## 2 Fail-safe Braking System

- Electromagnetic brake acts directly on the motor. It acts automatically in case of any form of power failure in the equipment.
- The electromagnetic brake also operates as a ramp hold, preventing the stacker from running away if left unattended on a slope
- The extreme horizontal & vertical positions of the tiller handle activate the electromagnetic brake. This ensures that the handle is always held in a convenient and safe zone while travelling. A spring automatically returns the tiller handle to a vertical position, immediately activating the electromagnetic brake and holding the stacker safely.
- The braking distance is programmable to suit the application, working conditions and operator skill



Operating mode with brake zone

## 3 Anti-pinning Button at the end of the control handle

- If the operator accidentally gets trapped between the stacker and the wall/rack, the anti-pinning button presses against the operator. This immediately moves the machine a few inches away from the operator, before coming to a halt.



## 4 Battery Discharge Indicator (BDI) with lift lock out

- The BDI visually indicates the battery status at all times. The lift lock out disables lift function when the battery is discharged to 80% of its full capacity, preventing deep discharge of the battery through further use.

## 5 Emergency stop switch

- The mushroom button instantly cuts power to all functions and operates the electromagnetic brake whenever it is struck in emergency



Throttle Switch for acceleration and braking





# Godrej Powered Pallet Truck

Engineered for durability

Handling 2 pallets for productivity



Easy battery rollout



Handling ground level pallets



Transport and order picking application



Maneuvering in tight spaces

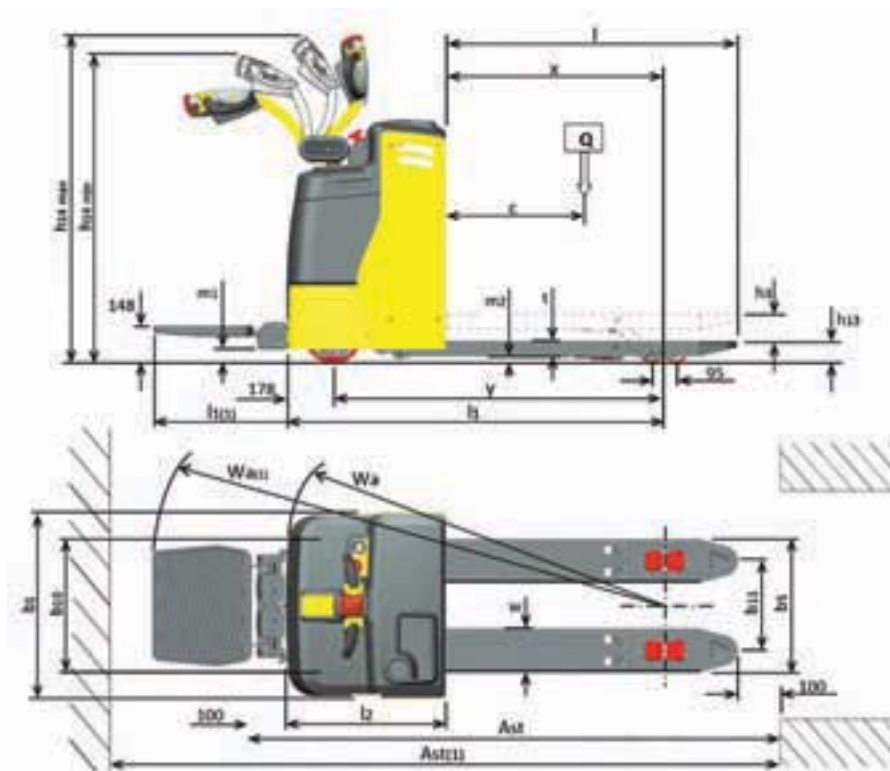
**TECHNICAL SPECIFICATION: GPPT 2000**

	Manufacturer			Godrej	
<b>Charateristics</b>	Model Designation			GPPT 2000	GPPT 2000 HB
	Power Source			Electric	Electric
	Operation Type			Pedestrian	Pedestrian
	Load Capacity	Q	Kg	2000	2000
	Load Centre	c	mm	600	600
	Load Distance, raised	x	mm	see table	see table
	Wheel Base, raised	y	mm	see table	see table
<b>Weights</b>	Unladen weight incl. battery	-	Kg	640	670
	Axle loading	w. load Front / Rear	Kg	1045 / 1565	1060 / 1610
		w.o. load Front / Rear		495 / 140	520 / 150
<b>Wheels &amp; Tyres</b>	Wheels Type			PU	PU
	Wheel size	Front	mm	Φ230 x 70	Φ230 x 70
		Rear	mm	Φ85 x 75	Φ85 x 75
		Castor Wheels	mm	Φ90 x 50	Φ90 x 50
	No. of wheels	Front		1	1
		Rear		4	4
		Castor Wheels		2	2
Track Width Front / Rear	b10 / b11	mm	see table	see table	
<b>Dimensions</b>	Lift Height	h3	mm	115	115
	Height of tiller in drive position min / max	h14	mm	1223 / 1317	1223 / 1317
	Lowered Forks Height	h13	mm	90	90
	Overall Length w. / w.o. platform	l1 / l1(1)	mm	see table	see table
	Lowered Headlength	l2	mm	609	688
	Overall width	b1	mm	726	726
	Fork dimension	Length (l)	mm	see table	see table
		Width (w)		170	170
		Thickness (t)		60	60
	Max. width across forks	b5	mm	see table	see table
	Ground clearance Chassis / centre of wheelbase	m1 / m2	mm	54 / 30	54 / 30
	Working Aisle for pallet size w. / w.o. platform	Ast / Ast(1)	mm	see table	see table
Turning Radius w. / w.o. platform	Wa / Wa(1)	mm	see table	see table	
<b>Performance</b>	Travel speed	with load	Km/h	5.1	5.1
		without load		6.0	6.0
	Lift speed	with load	m/sec	0.11	0.11
		without load		0.15	0.15
	Lowering speed	with load	m/sec	0.24	0.24
		without load		0.13	0.13
	Max. gradeability	with load	%	7	7
without load		15		15	
Service brake			Electro-magnetic	Electro-magnetic	
<b>Electrics</b>	Drive motor, S2 60 min rating		kW	1.3 AC	1.3 AC
	Lift motor, S3 10% rating		kW	2 DC	2 DC
	Battery	Voltage	V	24	24
		Capacity	Ah	220	270
	Battery weight		Kg	222	246
<b>Misc.</b>	Type of drive control			AC-MOSFET	AC-MOSFET
	Steering angle		Degree	175	175

Model			GPPT2000 520/1120	GPPT2000 670/1120	GPPT2000 520/1210	GPPT2000 670/1210	GPPT2000HB 520/1120	GPPT2000HB 670/1120	GPPT2000HB 520/1210	GPPT2000HB 670/1210
Load Distance, raised <sup>1</sup>	x	mm	778		868		778		868	
Wheel Base, raised <sup>1</sup>	y	mm	1210		1300		1298		1388	
Track Width Front / Rear	b10 / b11	mm	490 / 350		490 / 500		490 / 350		490 / 500	
Overall Length w. / w.o. platform	l1 / l1(1)	mm	2240 / 1730		2330 / 1820		2320 / 1807		2410 / 1897	
Fork Length	l	mm	1120		1210		1120		1210	
Max. width across forks	b5	mm	520	670	520	670	520	670	520	670
Working Aisle for pallet size w. / w.o. platform 800(W)x1200(L) 1000(W)x1200(L) 1200(W)x1200(L)	Ast / Ast(1)	mm	2700 / 2194		2728 / 2220		2780 / 2271		2806 / 2298	
		mm	2772 / 2266		2808 / 2300		2850 / 2345		2886 / 2379	
		mm	2852 / 2345		2894 / 2386		2930 / 2425		2971 / 2464	
Turning Radius w. / w.o. platform, raised <sup>2</sup>	Wa / Wa(1)	mm	1919 / 1412		2008 / 1500		1996 / 1490		2086 / 1578	

<sup>1</sup> Forks lowered +61mm

<sup>2</sup> Forks lowered +51mm

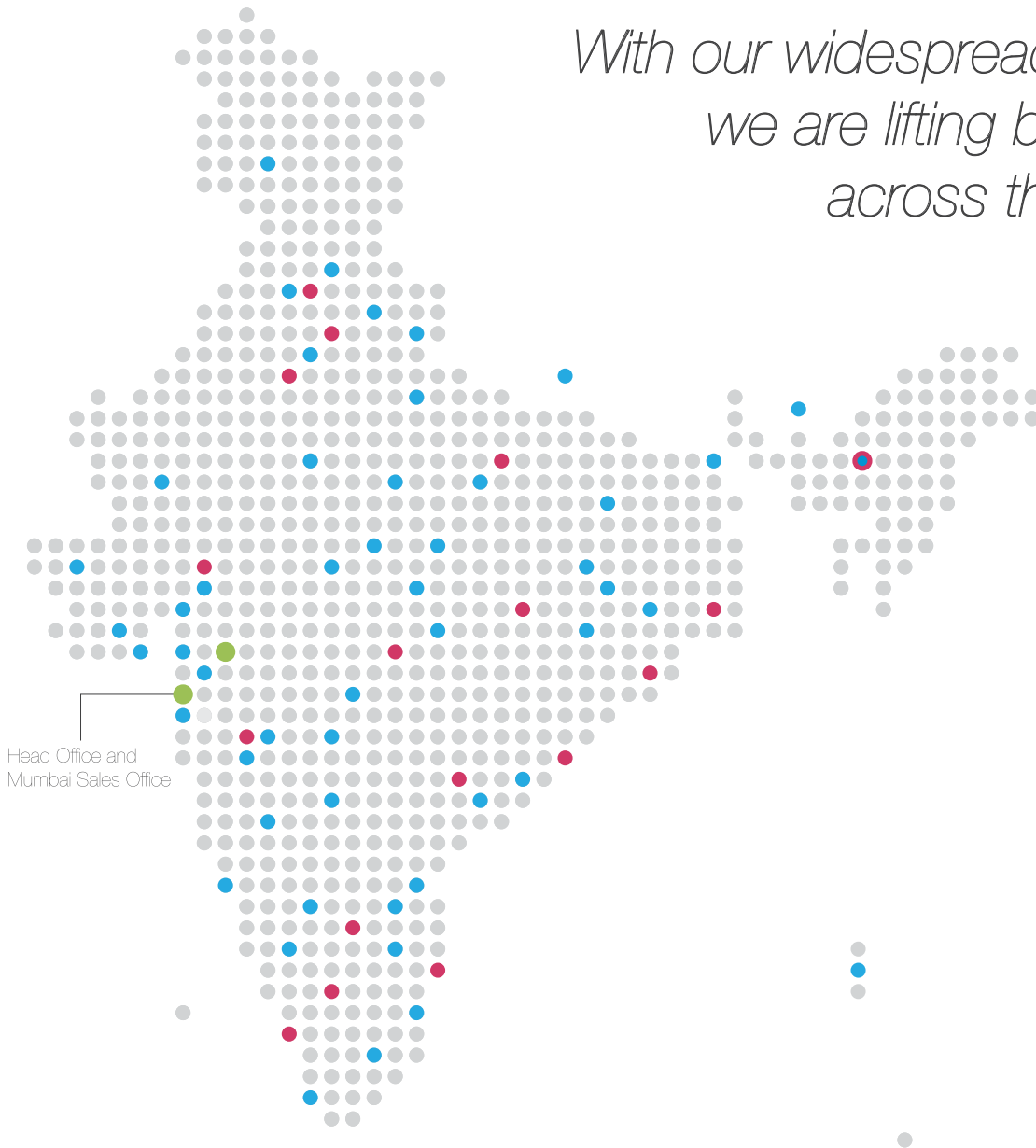


### Standard Features:

- Fully welded steel chassis, optimally designed on Pro E & validated by finite element analysis (FEA)
- Fully integrated drive unit with ACTS traction motor, gear box and drive wheel
- Polyurethane drive wheel, castors and tandem load wheels for GPPT 2000
- Centre mounted control arm with full function control handle
- Programmable MOSFET traction controller
- 24V electrical system
- 220/270 Ah traction battery
- 1.3 KW AC traction motor
- 2 KW DC pump motor
- Electromagnetic parking brakes with FBS technology
- Battery compartment rollers
- Battery discharge indicator with lift lock out
- Mushroom button for emergency shut down
- Anti-pinning button for operator safety
- Key switch
- Horn
- Operator Platform

NOTE: All dimensions and specifications indicated above are subject to a variation of +/-15%. Godrej products and specifications are subject to improvement or change without notice. The colour of the product reflecting in this brochure is indicative and may vary in actual supply.

*With our widespread network,  
we are lifting businesses  
across the country.*



Head Office and  
Mumbai Sales Office

- Manufacturing Location
- Branch Office
- Authorized Dealer Location



**GODREJ & BOYCE MFG. CO. LTD.**

**Plant 16, Pirojshanagar, Vikhroli, Mumbai 400079**

+91 22 6976 4660 • mhemktg@godrej.com • www.godrejmh.in

#### BRANCHES

Ahmedabad: 079 6606 0646

Bangalore: 080 6647 2251

Bhubaneswar: 0674 2374 627

Chandigarh: 0172 5012 525

Chennai: 044 6654 4389

Coimbatore: 0422 2545 799

Delhi: 011 6650 7340

Guwahati: 03612 468 242

Hyderabad: 040 6643 1203

Indore: 0731 4069 335

Jaipur: 0141 6701 443

Kochi: 0484 6612 777

Kolkata: 033 6601 3771

Lucknow: 0522 6754 980

Mumbai: 022 6976 1291

Pune: 020 6625 5121

Raipur: 0771 6606 606

Vizag: 0891 2746 511

To find out more  
about what's new at  
Godrej Material Handling,  
check out  
[www.godrejmh.in](http://www.godrejmh.in)

